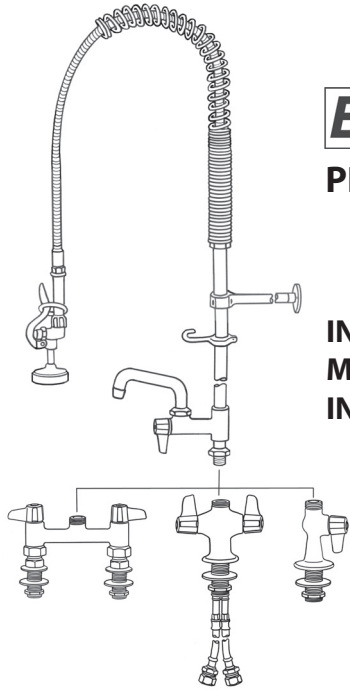




RELIABILITY BUILT IN™



**EasyInstall**

**PRE-RINSE UNITS**

**INSTALLATION AND  
MAINTENANCE  
INSTRUCTIONS**

### Limited One Year Warranty

T&S warrants to the original purchaser (other than for purposes of resale) that such product is free from defects in material and workmanship for a period of one (1) year from the date of purchase. During this one-year warranty period, if the product is found to be defective, T&S shall, at its option, repair and/or replace it. To obtain warranty service, products must be returned to:

T&S Brass and Bronze Works, Inc.  
Attn.: Warranty Repair Department  
2 Saddleback Cove  
Travelers Rest, South Carolina, 29690 U.S.A.  
864-834-4102  
<http://www.tsbrass.com>

Shipping, freight, insurance, and other transportation charges of the product to T&S and the return of repaired or replaced product to the purchaser are the responsibility of the purchaser. Repair and/or replacement shall be made within a reasonable time after receipt by T&S of the returned product. This warranty does not cover items which have received secondary finishing or have been altered or modified after purchase, or for defects caused by physical abuse to or misuse of the product, or shipment of the products.

Any express warranty not provided herein, and any remedy for Breach of Contract which might arise, is hereby excluded and disclaimed. Any implied warranties of merchantability or fitness for a particular purpose are limited to one year in duration. Under no circumstances shall T&S be liable for loss of use or any special consequential costs, expenses or damages. Some states do not allow limitations on how long an implied warranty lasts or the exclusion or limitation of incidental or consequential damages, so the above limitations or exclusions may not apply to you. Specific rights under this warranty and other rights vary from state to state. Consult and adhere to local plumbing codes when specifying, installing, or repairing these products.

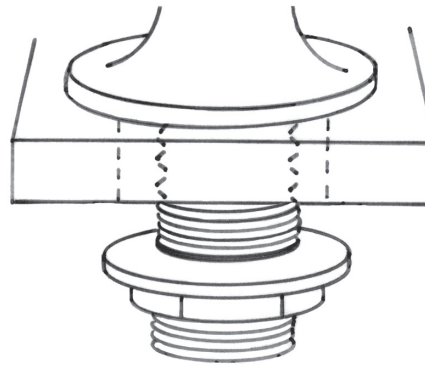
P/N: 098-014684-45 Rev. 3  
Date: 07-08-13  
Drawn: TEH  
Checked: DHL 07-13-13  
Approved: JHB 07-23-13

1. Insert faucet body into mounting hole. Attach water supply lines.

1. Ensarte el grifo en el hueco de montadura. Ate las líneas de surtido.

1. Installer la base du rince-vaisselle et raccorder à l'alimentation d'eau.

1. Mischbatterie am Spültisch montieren und Wasserzuleitungen anschliessen.

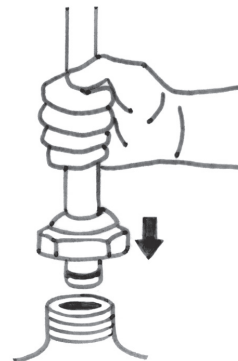


3. Lower EasyInstall® riser bushing into faucet body. Press down until bushing locks in place.

3. Introduzca la extremidad con el encaje "EasyInstall" al grifo.

3. Faire glisser l'embout EasyInstall du tube de support dans le col de la base du rince vaisselle et pousser à fond.

3. Zwischenhahn in die Mischbatterie einsetzen, Zwischenhahn herunterdrücken bis er einrastet.



2. Assure EasyInstall® locking washer is inside faucet body.

2. Asegurase que la arandela de seguridad "EasyInstall" este situada dentro del grifo.

2. Vérifier que la rondelle anti-rotation Easy-Install soit au fond du col de la base du rince-vaisselle.

2. Bitte überprüfen, ob die Metalledichtung in der Mischbatterie installiert worden ist.

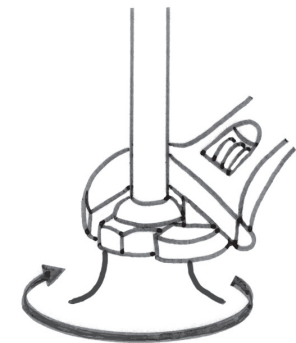


4. Tighten EasyInstall® locking nut onto faucet body with wrench.

4. Con una llave, apriete la tuerca de seguridad "EasyInstall" al grifo.

4. Bien serrer le boulon de sécurité Easy Install à l'aide d'une clef anglaise.

4. Mutter ( EasyInstall locking) mit Spanner ("englischer Schlüssel) andrehen.



## Body Faucet Assembly

1	Single Hole Deck Mount Faucet	014674-40
2	Single Inlet Faucet Body	N/A
3	6" (152mm) Deck Mount Faucet	014648-40
4	180mm (7") Deck Mount Faucet	N/A
5	Asm, Spindle - Hot	013787-45
6	Asm, Spindle - Cold	013788-45
7	Handle, Hot & Cold Color Screws	E-HDL-L
8	* Lock Washer	014200-45

## Riser Assembly

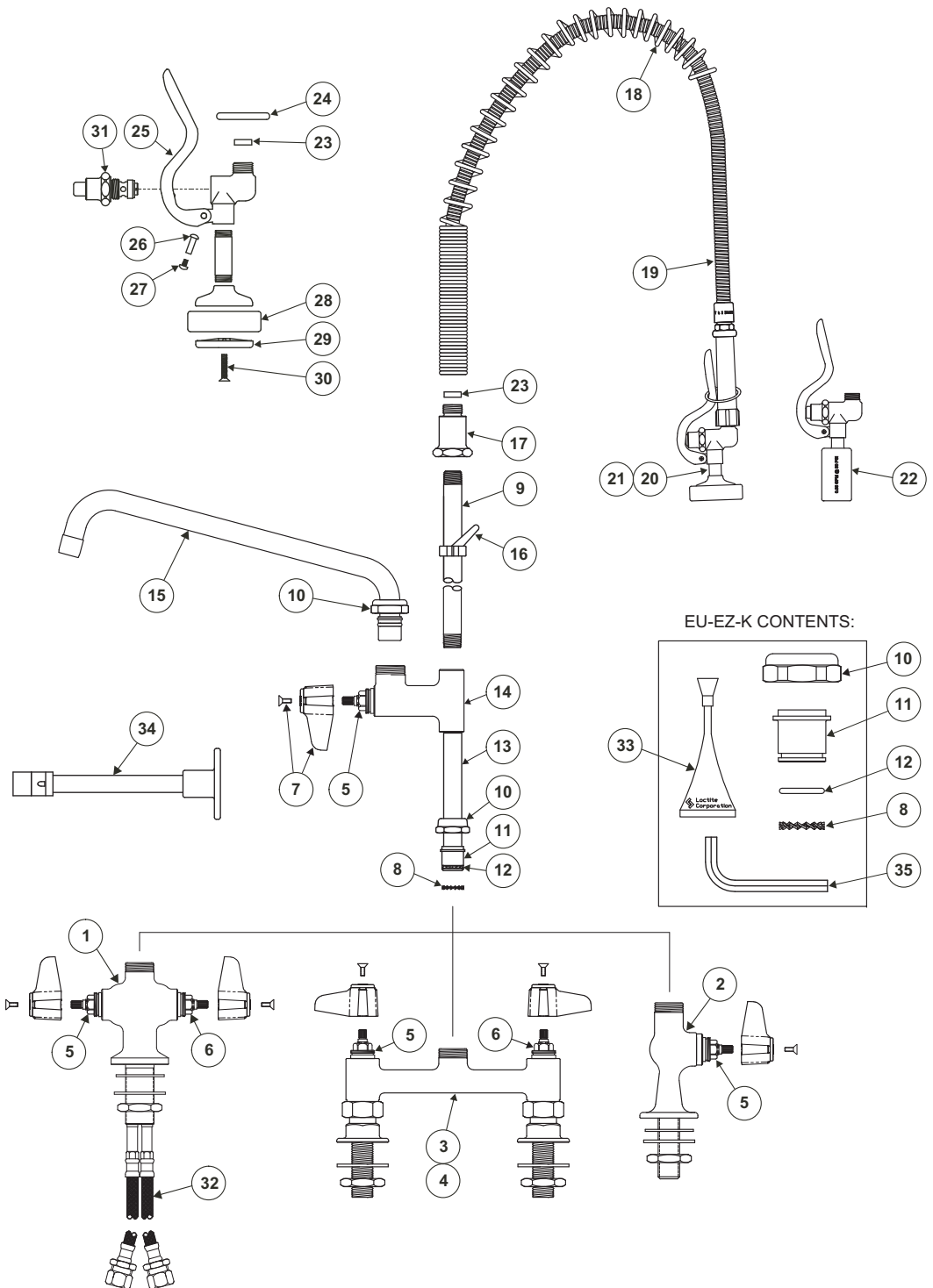
9	Riser, 3/8" x 18" (457mm)	000369-40
	Riser, 3/8" x 21" (533mm)	014610-40
	Riser, 3/8" x 24" (610mm)	000372-40
	Riser, 3/8" x 28" (711mm)	000374-40
10	* Swivel Nut	013839-25
11	* Bushing	013957-25
12	* O-Ring	001062-45
13	Nipple, 3/8" x 3" (76mm)	000358-40
	Nipple, 3/8" x 5" (127mm)	000361-40
14	Add-On Faucet	EU-AF00
15	Swing Nozzle, 6" (152mm)	ES-06
	Swing Nozzle, 12" (305mm)	ES-12
	Swing Nozzle, 18" (457mm)	ES-18
16	Asm, Finger Hook & Screw	004R

## Pre-Rinse Unit

17	Spring, Body	000821-40
18	Spring, Standard Overhead	000888-45
	Spring, Mini Pre-Rinse Unit	016795-45
	Spring, Stainless Steel (Option)	010294-45
19	*** Asm, 1200mm Flex Stainless Steel Hose	EB-0120-CMH
	*** Asm, 20" (508mm) Flex Stainless Steel Hose	EB-0020-H
20	Spray Valve, High Flow (4-6 GPM @ 60 PSI)	EB-0107
21	Spray Valve, Medium Flow (1.42 GPM @ 60 PSI)	UK-0107
22	Spray Valve, Low Flow (0.65 GPM @ 60 PSI)	EB-0107-C

## Spray Valve Assembly

23	Washer	010476-45
24	Ring, Hold Down	000907-45
25	Handle	011454-45
26	Nut, Handle	003198-45
27	Screw, Handle	003199-45
28	Sprayhead Ring, EB-0107	011475-45
	Sprayhead Ring, EB-0107-C	011499-45
29	Sprayface, High Flow	011456-45
	Sprayface, Medium	017288-45
30	Screw, Sprayface	000913-45
31	Asm, Bonnet	010594-40
32	** 15mm Flex Connector Hoses with Check Valve	016068-25
33	* Loctite	010588-45
34	12" Wall Bracket	B-0109-03
35	* 3/8" Allen Wrench	001409-45



\* Parts included in the EU-EZ-K Parts Kit

\*\* Flex Connector Hoses not available with UK-model number.

\*\*\* For other hose lengths contact your factory representative.