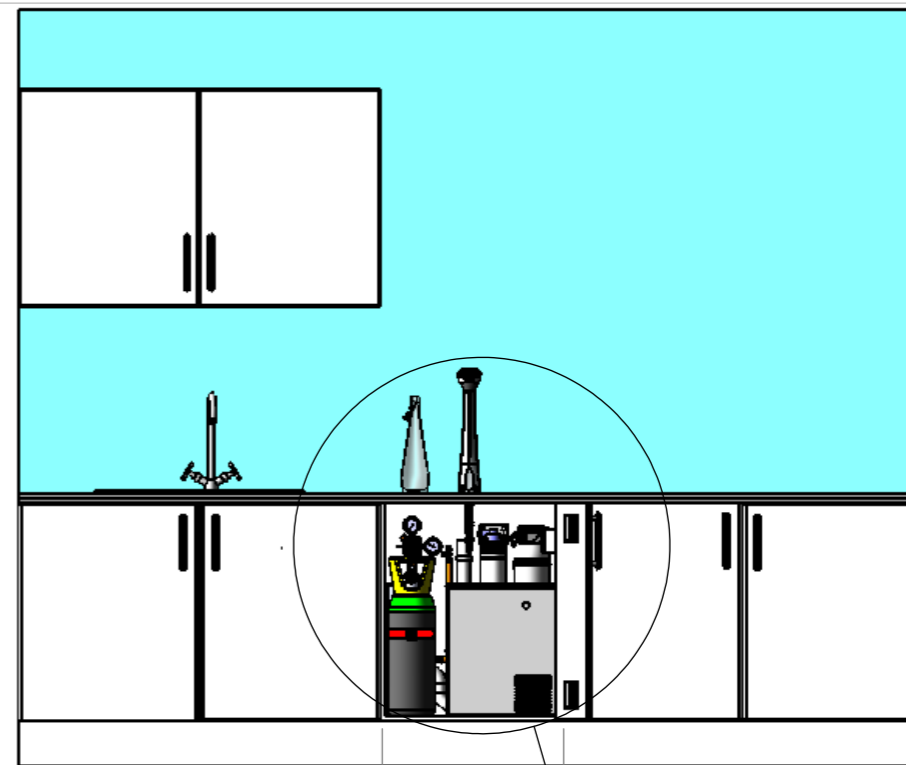
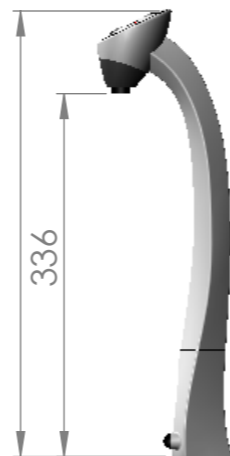


Vi Tap (Plus)
Counter mounted over a recessed Stainless Drip Tray



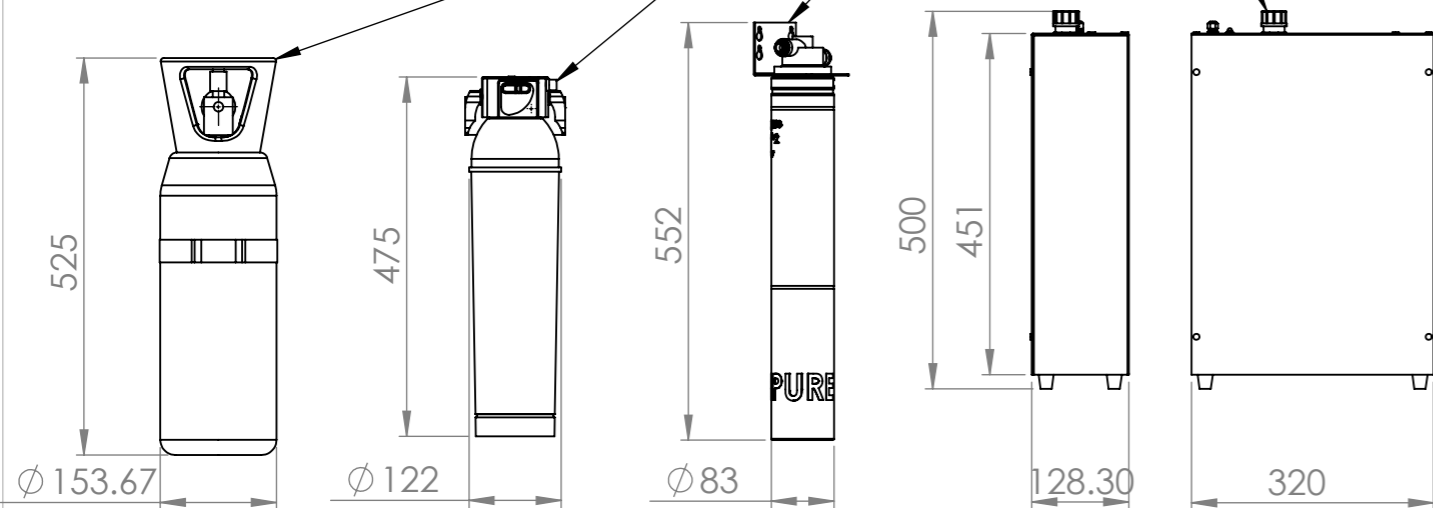
600

Position Ventilation grilles along top and bottom of the door

Mains Water Supply
Terminate 600mm
above the floor

Trapped Waste
Upstand
Terminate 600mm
above the floor

Double Switched
13A Socket

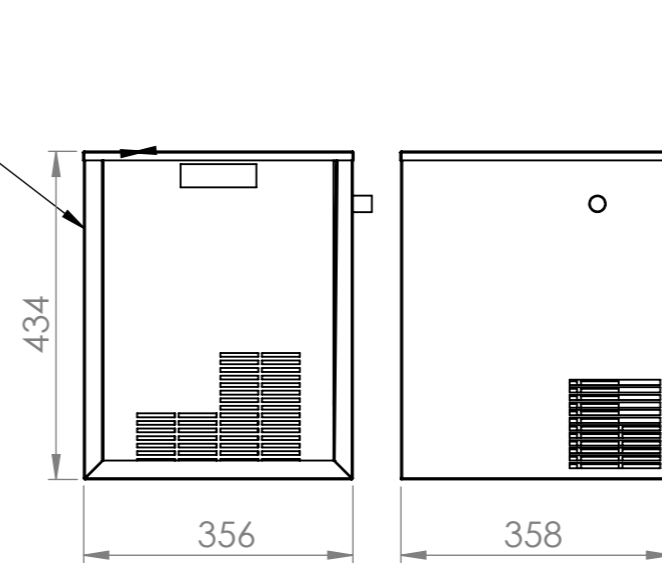


CO2
Cylinder

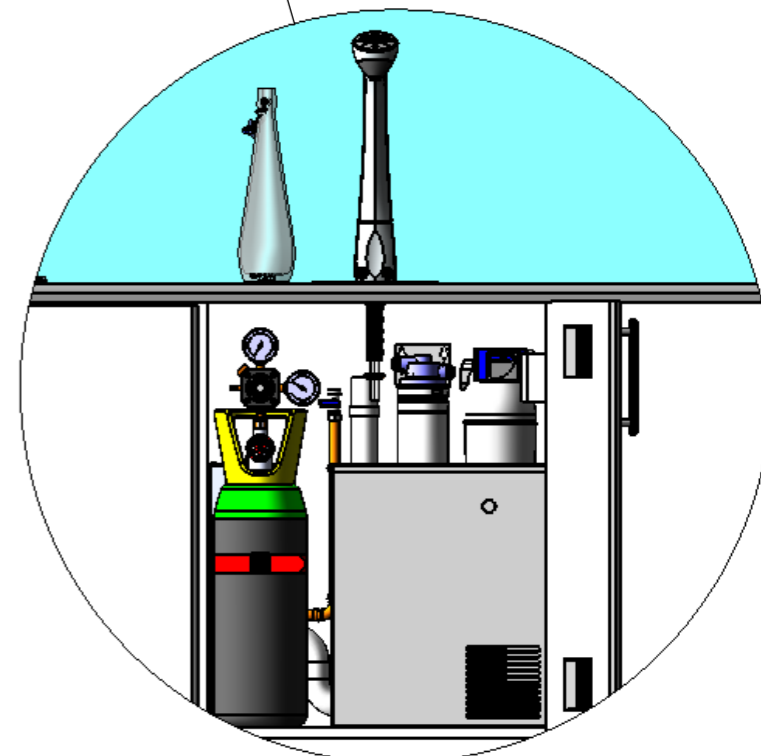
Hot Water
Filter

Cold Water
Filter

VIVREAU Boiler



VIVREAU Carbonator



VIVREAU Limited
Unit 44 Metropolitan Park,
Norwich Road, Greenford,
Middlesex UB6 8UB

Tel. 0845 6749655
e.mail www.vivreau.com

VIVREAU

DRAWN RJ 12.11.13

CHK'D

FINISH:

MATERIAL:

TITLE:

Vi Plus-2H

DWG NO.

Viv 072.20

A3

This drawing and the content within is the sole property of VIVREAU Limited. It shall not be copied or reproduced in any form without the written permission of VIVREAU Limited
Copyright © 2013 VIVREAU Limited

No. Modification

NAME DATE

WEIGHT:

SCALE:1:50

DO NOT SCALE DRAWING