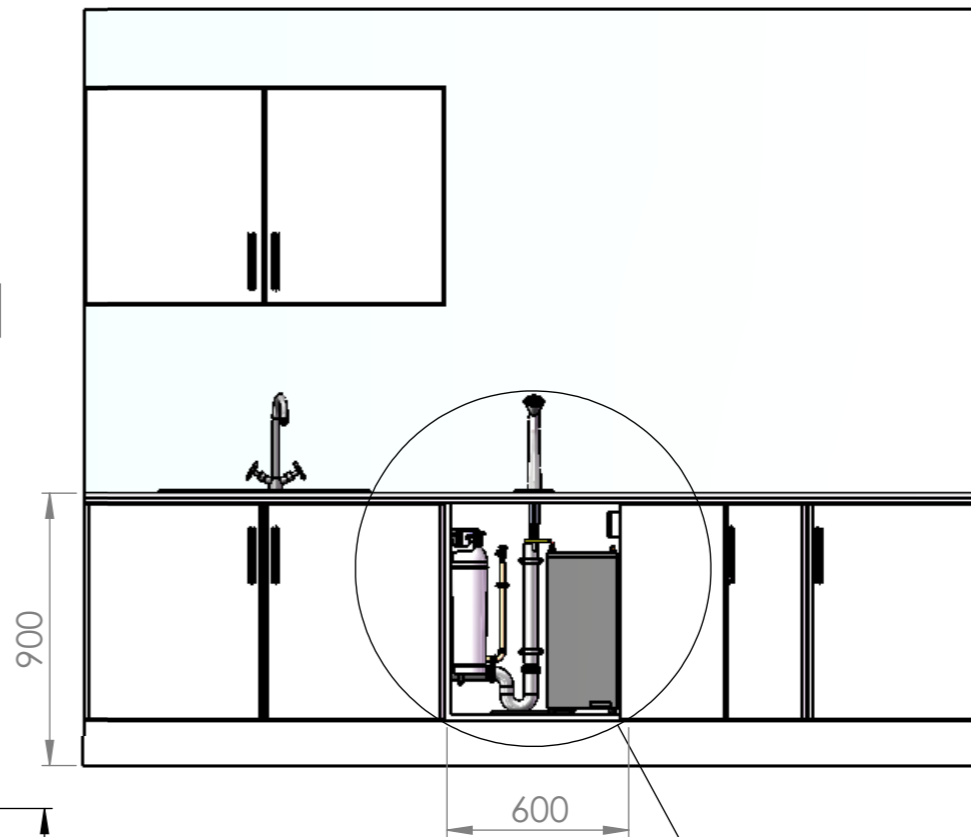


Vi Counter Top Tap  
with integral drip tray



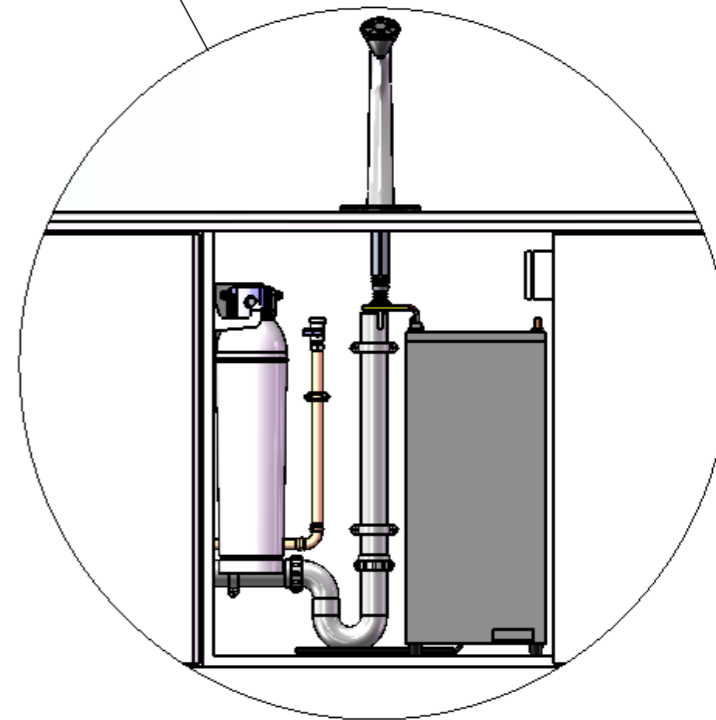
600

900



245

322



Mains Water Supply  
Terminate 600mm  
above the floor

13A Double  
Switched Socket  
220/240V 50Hz

Trapped Waste Upstand  
Terminate 600mm  
above the floor

**BRITA Filter**

**VIVREAU Vi Tap  
Control Box**

**VIVREAU V Max Boiler**

Diam..... $\phi$  122  
Height.....475

Depth.....80  
Width.....260  
Height.....205

Depth.....375  
Width.....230  
Height.....533

This drawing is the property of VIVREAU Limited. It shall not be copied  
or reproduced without the express permission of VIVREAU Limited  
COPYRIGHT © 2012 VIVREAU Limited

VIVREAU Limited  
Unit 44. Metropolitan Park.  
Norwich Road. Greenford.  
Middlesex. UB6 8UB

Tel 0845 674 9655  
[www.vivreau.com](http://www.vivreau.com)

**VIVREAU Limited**

DRAWN RJ 05.12.12  
CHK'D  
FINISH:

TITLE:

Vi-H. V Max Boiler

MATERIAL:

DWG NO.

Viv 072.06 Max

A3

SCALE:1:50

SHEET 1 OF 1

Item MODIFICATION NAME/DATE WEIGHT: