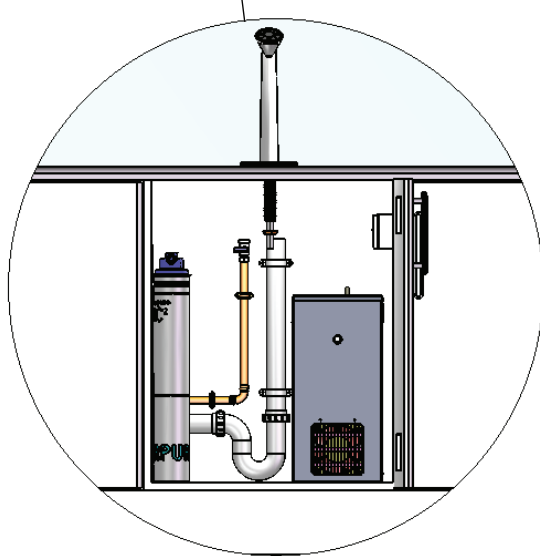
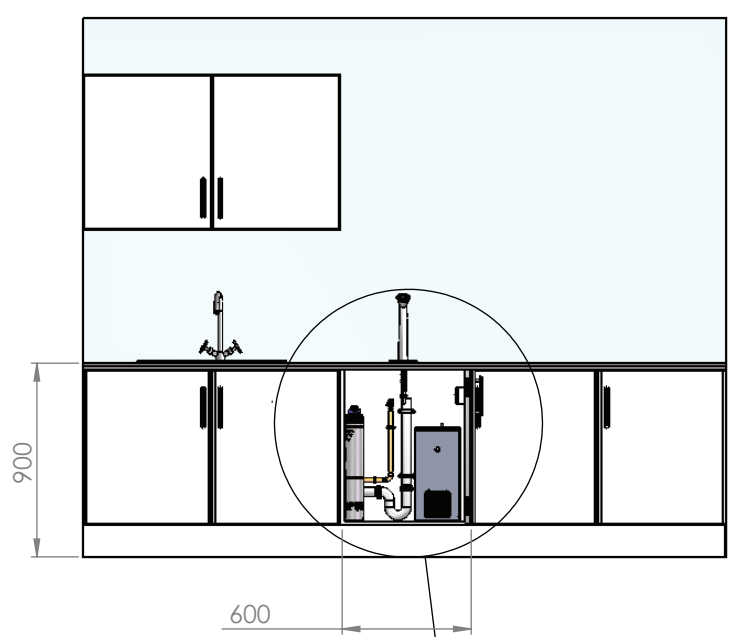
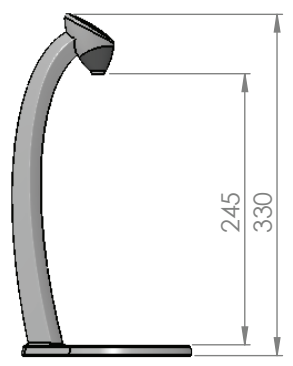
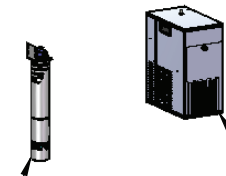


Vi Counter Top Tap with integral drip tray



- Mains Water Supply Terminate 600mm above the floor
- Trapped Waste Upstand Terminate 600mm above the floor
- 13A Single Switched Socket 220/240V 50HZ

Ventilation Grilles x 2



VIVREAU Filter  
Diam.....Ø85  
Height.....390



Vivreau Chiller  
Depth.....360  
Width.....210  
Height.....440

This Drawing is Copyright and is the sole property of VIVREAU LIMITED. It shall not be copied or reproduced in any form without the express permission of VIVREAU LIMITED. COPYRIGHT © VIVREAU LIMITED 2013

MATERIAL				
FINISH:				
COLOUR				
WEIGHT:	No.	NAME	MODIFICATION	DATE

**VIVREAU LIMITED**  
 UNIT44 METROPOLITAN PARK  
 NORWICH ROAD GREENFORD  
 MIDDLESEX UB6 8UB  
 Tel: 0845 674 9655  
 www.vivreau.com

TITLE: **Vi-1 Still Water**

DWG NO: **Viv 072.01**

DRAWN	RJ 15.11.13	CHKD	APPVD
SCALE:1:50	ALL DIMENSIONS IN MM	DO NOT SCALE DRAWING	A3 SHEET 1 OF 1