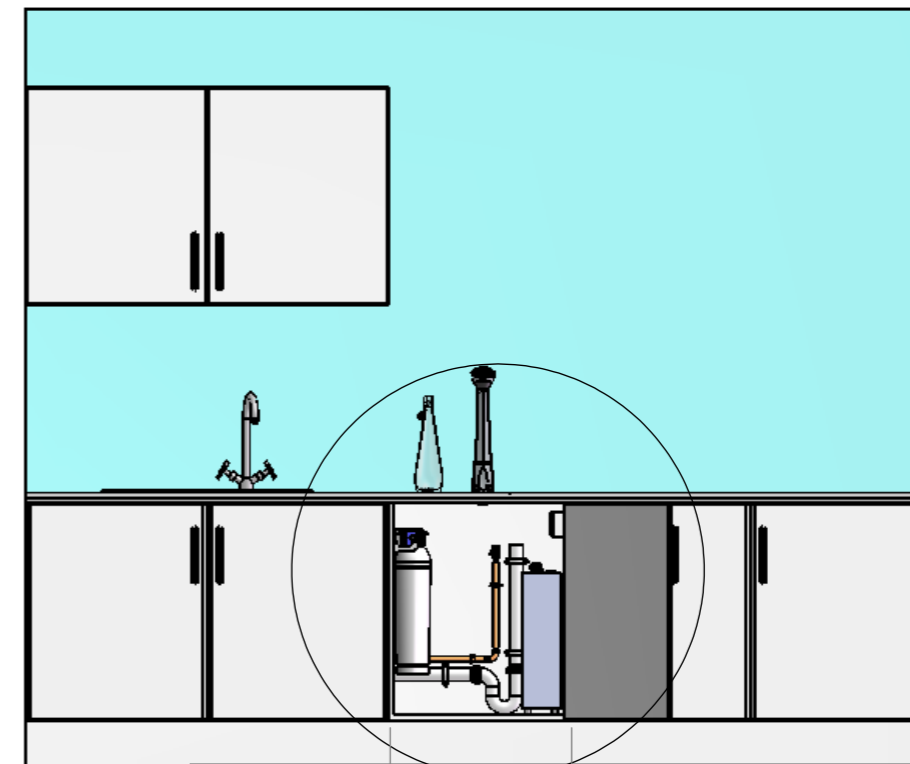
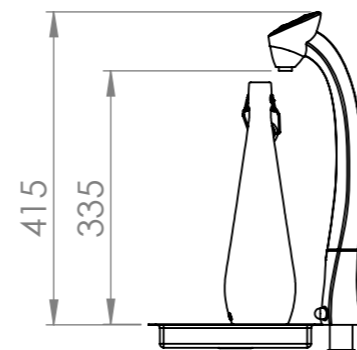
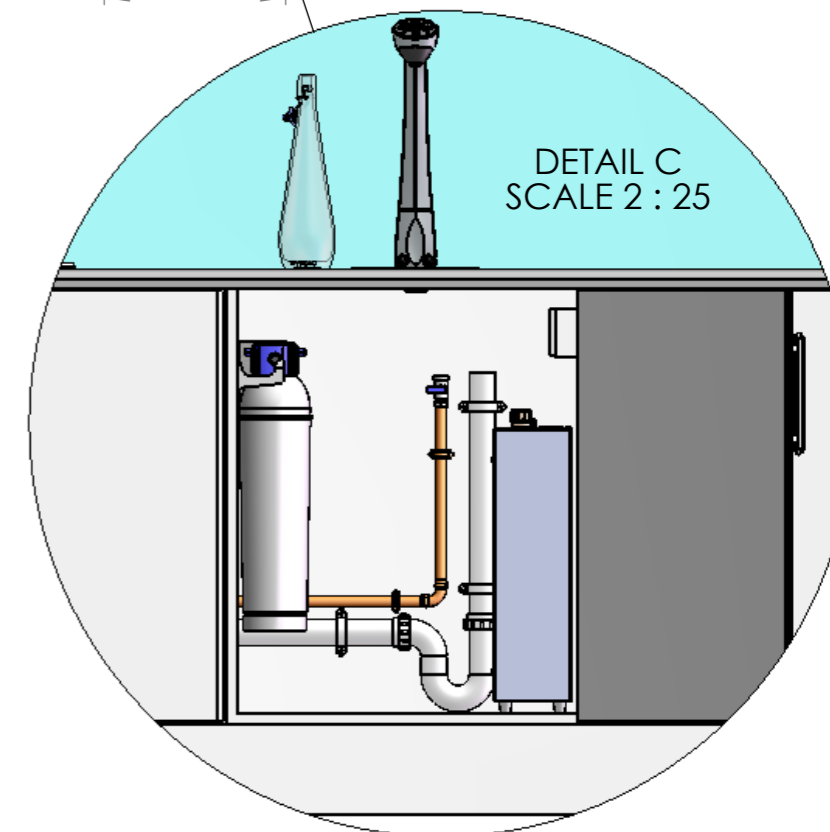


VI plus with recessed
Stainless Steel drip tray



600



DETAIL C
SCALE 2 : 25

Mains Water Supply
Terminate 600mm
above the floor

Trapped Waste
Upstand
Terminate 600mm
above the floor

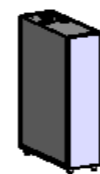
13A Double Switched
Socket
220V 50Hz



Brita Filter
Diam..... ϕ 122
Height.....480



VIVREAU Tap
Control Box
Depth.....260
Width.....80
Height.....205
Height + connectors.....300



VIVREAU V Boiler
Depth.....320
Width.....130
Height.....525

This drawing is the sole property of the VIVREAU Limited. It shall not be copied or reproduced without the written permission of VIVREAU Limited © 2014 VIVREAU Limited

VIVREAU Limited
Unit 44 Metropolitan Park
Norwich Road, Greenford
Middlesex UB6 8UB

TEL: 0845 6749655
www.vivreau.com

DRAWN/DATE RJ 30.12 13

CHK'd/DATE

FINISH:

DEBUR AND
BREAK SHARP
EDGES

MATERIAL:

WEIGHT:

VIVREAU

Vi plus-H

DWG NO. Viv 072.17

REVISION

REV

MODIFICATION

NAME/DATE

SCALE:1:50

DO NOT SCALE DRAWING

A3

SHEET 1 OF 1