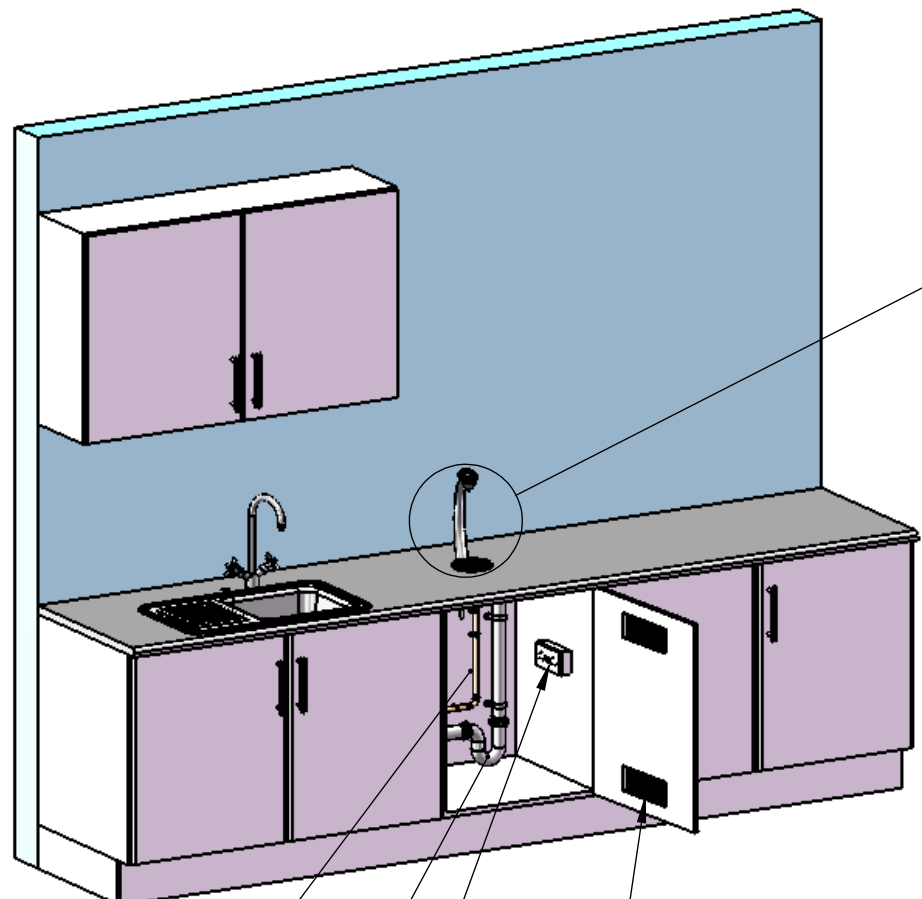


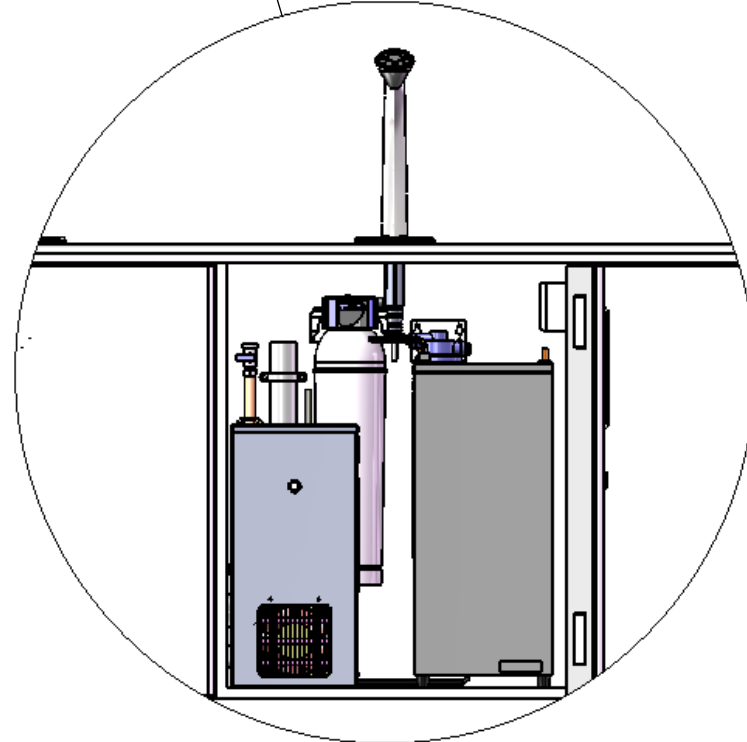
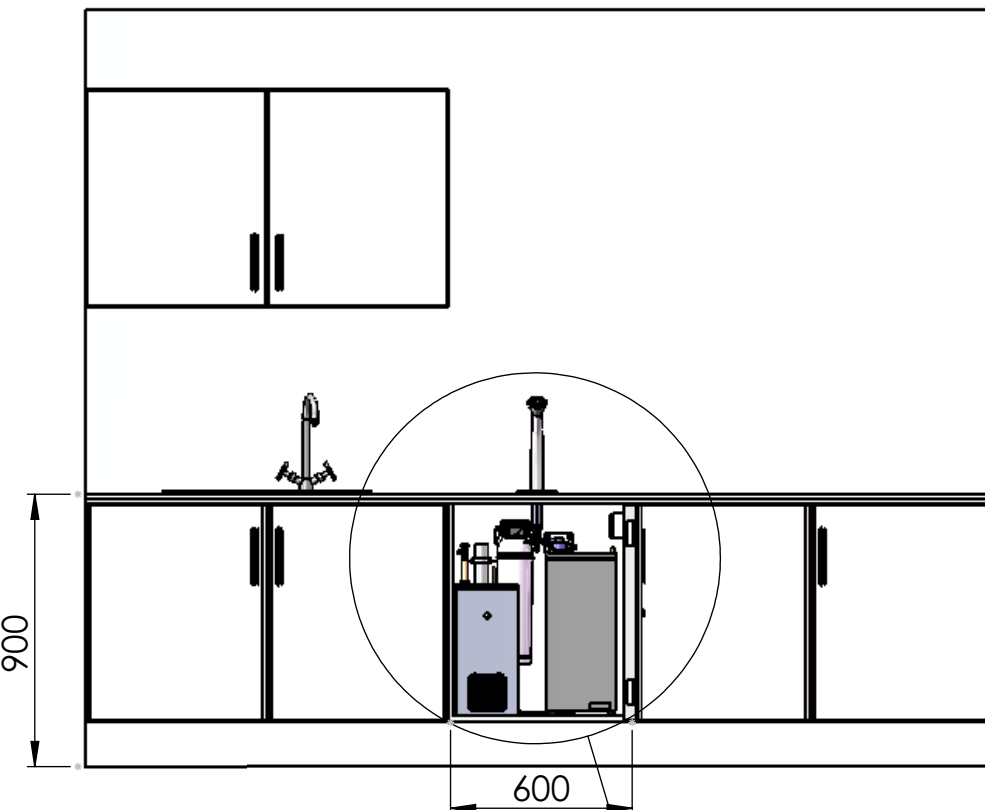
1 2 3 4 5 6 7 8

A  
B  
C  
D  
E  
F

A  
B  
C  
D  
E  
F



Vi Counter Top Tap with integral drip tray



Mains Water Supply  
Terminate 600mm  
above the floor

Trapped Waste Upstand  
Terminate 600mm  
above the floor

Double Switched Socket  
220/240V 50Hz

Ventilation Grilles  
x2 in door

**VIVREAU FILTER**

Diam.....  $\phi$  122  
Height.....475

**BRITA FILTER**

Diam.....  $\phi$  122  
Height.....475

**VIVREAU CHILLER**

Depth.....405  
Width.....215  
Height.....440

**VIVREAU V MAX BOILER**

Depth.....375  
Width.....230  
Height.....533

This drawing is the property of VIVREAU Limited. It shall not be copied or reproduced without the express permission of VIVREAU Limited  
COPYRIGHT © 2012 VIVREAU Limited

Tel 0845 674 9655  
[www.vivreau.com](http://www.vivreau.com)

**VIVREAU** Limited  
Unit 44, Metropolitan Park,  
Norwich Road, Greenford,  
Middlesex. UB6 8UB

**VIVREAU Limited**

TITLE:  
**Vi -1H V Max Boiler**

DRAWN RJ 05.12.12

CHK'D

FINISH:

MATERIAL:

DWG NO.

**Viv 072.07 Max**

A3

1 2 3 4 5 6 7 8

Item MODIFICATION NAME/DATE WEIGHT: SCALE:1:50 SHEET 1 OF 1